

Exam Questions 200-125

CCNA Cisco Certified Network Associate CCNA (v3.0)

<https://www.2passeasy.com/dumps/200-125/>



NEW QUESTION 1

- (Exam Topic 1)

Which address class includes network 191.168.0.1/27?

- A. Class C
- B. Class B
- C. Class D
- D. Class A

Answer: B

NEW QUESTION 2

- (Exam Topic 1)

On which type of port can switches interconnect for multi-VLAN communication?

- A. interface port
- B. access port
- C. switch port
- D. trunk port

Answer: D

NEW QUESTION 3

- (Exam Topic 1)

How can you manually configure a switch so that it is selected as the root Switch?

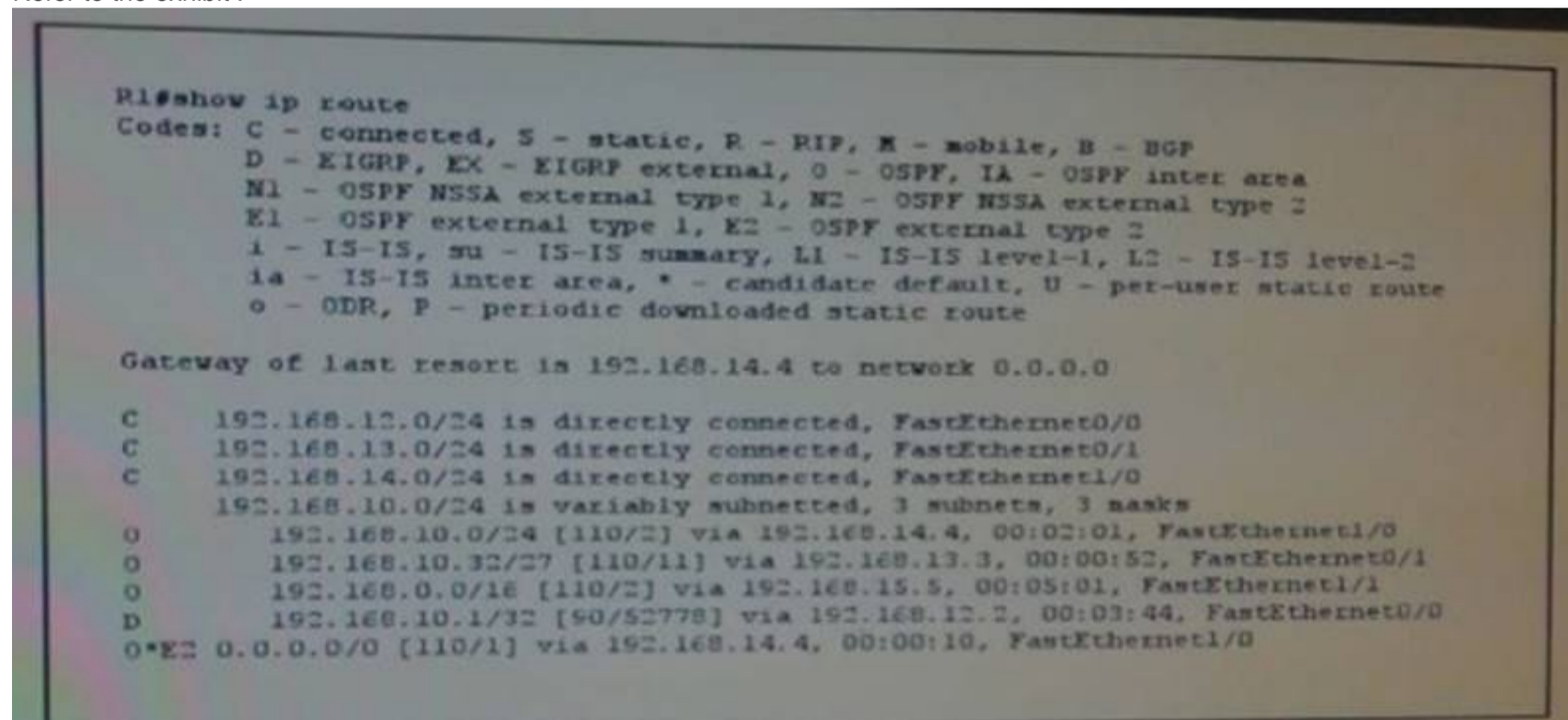
- A. increase the priority number
- B. lower the port priority number
- C. lower the priority number
- D. increase the port priority number

Answer: C

NEW QUESTION 4

- (Exam Topic 1)

Refer to the exhibit .



```
R1#show ip route
Codes: C - connected, S - static, R - RIP, M - mobile, B - BGP
       D - EIGRP, EX - EIGRP external, O - OSPF, IA - OSPF inter area
       N1 - OSPF NSSA external type 1, N2 - OSPF NSSA external type 2
       E1 - OSPF external type 1, E2 - OSPF external type 2
       i - IS-IS, su - IS-IS summary, L1 - IS-IS level-1, L2 - IS-IS level-2
       ia - IS-IS inter area, * - candidate default, U - per-user static route
       o - ODR, P - periodic downloaded static route

Gateway of last resort is 192.168.14.4 to network 0.0.0.0

C    192.168.13.0/24 is directly connected, FastEthernet0/0
C    192.168.13.0/24 is directly connected, FastEthernet0/1
C    192.168.14.0/24 is directly connected, FastEthernet1/0
     192.168.10.0/24 is variably subnetted, 3 subnets, 3 masks
O    192.168.10.0/24 [110/2] via 192.168.14.4, 00:02:01, FastEthernet1/0
O    192.168.10.32/27 [110/11] via 192.168.13.3, 00:00:52, FastEthernet0/1
O    192.168.0.0/16 [110/2] via 192.168.15.5, 00:05:01, FastEthernet1/1
D    192.168.10.1/32 [90/52778] via 192.168.12.2, 00:03:44, FastEthernet0/0
O*E2 0.0.0.0/0 [110/1] via 192.168.14.4, 00:00:10, FastEthernet1/0
```

if R1 sends Traffic to 192.168.10.45 the traffic is sent through which interface ?

- A. FastEthernet 0/1
- B. FastEthernet 0/0
- C. FastEthernet 1/0
- D. FastEthernet 1/1

Answer: A

NEW QUESTION 5

- (Exam Topic 2)

Which Ethernet interface command is present when you boot a new Cisco router for the first time?

- A. speed 100
- B. shutdown
- C. ip address 192.168.1.1 255.255.255.0
- D. duplex half

Answer: B

NEW QUESTION 6

- (Exam Topic 2)

Which of the port is not part of STP protocol.?

- A. Listening
- B. Learning
- C. Forwarding
- D. Discarding

Answer: D

NEW QUESTION 7

- (Exam Topic 2)

Which command must you enter to enable OSPFv2 in an IPv4 network ?

- A. ip ospf hello-interval seconds
- B. router ospfv2 process-id
- C. router ospf value
- D. router ospf process-id

Answer: D

NEW QUESTION 8

- (Exam Topic 2)

Which two statements about access points are true? (Choose Two)

- A. They can provide access within enterprises and to the public.
- B. in Most cases, they are physically connected to other network devices to provide network connectivity.
- C. They can protect a network from internal and external threats.
- D. Most access points provide Wi-Fi and Bluetooth connectivity.
- E. They must be hardwired to a modem.

Answer: CD

NEW QUESTION 9

- (Exam Topic 2)

Which three statements are true about the operation of a full-duplex Ethernet network? (Choose three.)

- A. The host network card and the switch port must be capable of operating in full-duplex mode.
- B. Ethernet hub ports are preconfigured for full-duplex mode.
- C. A dedicated switch port is required for each full-duplex node.
- D. There are no collisions in full-duplex mode.
- E. In a full-duplex environment, the host network card must check for the availability of the network media before transmitting.

Answer: ACD

NEW QUESTION 10

- (Exam Topic 2)

Which option is the industry-standard protocol for etherChannel?

- A. Cisco Discovery protocol
- B. PAgp
- C. LACP
- D. DTP

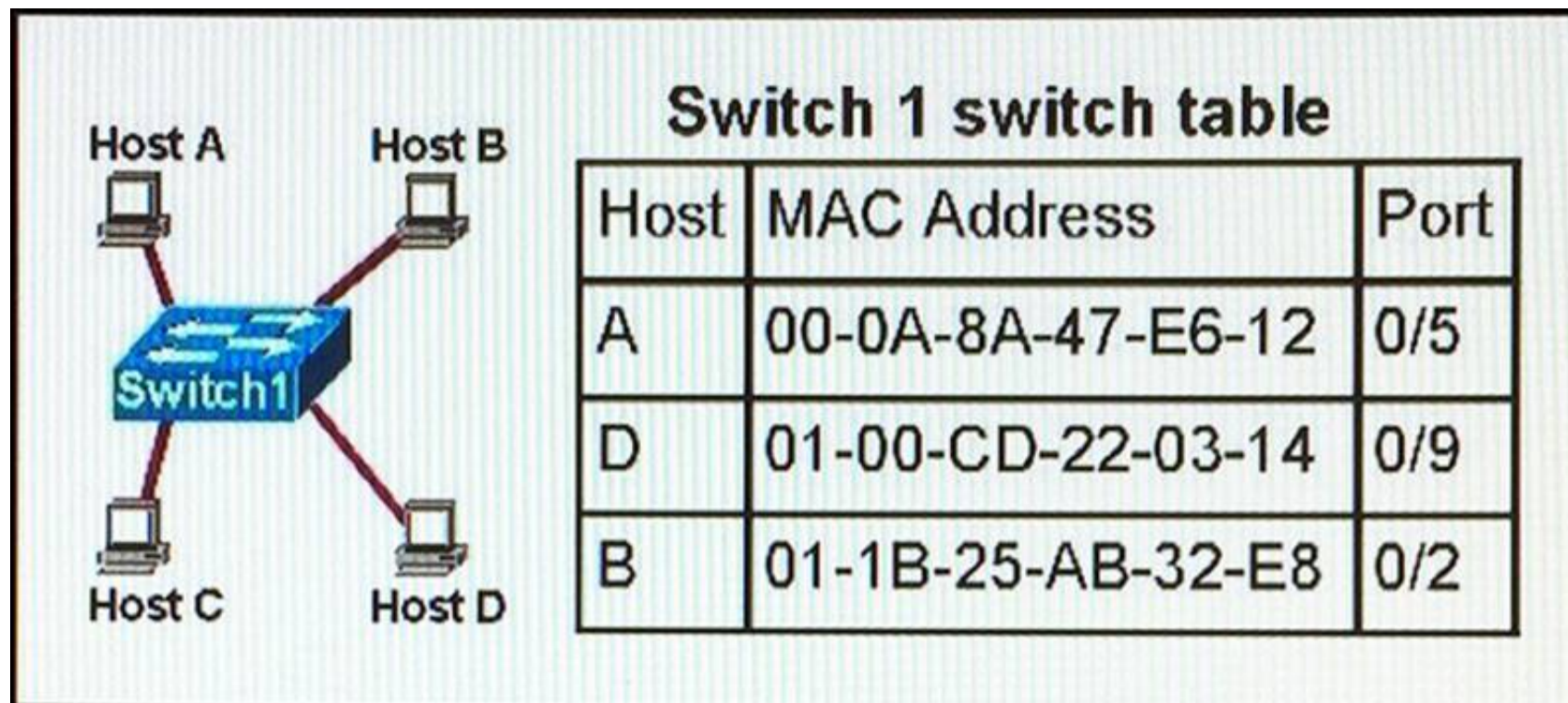
Answer: B

Explanation:

<http://www.omniseu.com/cisco-certified-network-associate-ccna/etherchannel-pagp-and-lacp-modes.php>

NEW QUESTION 11

- (Exam Topic 2)



Refer to the topology and switching table shown in the graphic. Host B sends a frame to Host C. Which option describes what the switch will do with the frame?

- A. send an ICMP Host Unreachable message to Host B
- B. return the frame to Host B
- C. drop the frame
- D. send the frame out all ports except port 0/2
- E. record the destination MAC address in the switching table and send the frame directly to Host C
- F. send an ARP request for Host C

Answer: D

NEW QUESTION 12

- (Exam Topic 3)

Scenario:

You work as Junior Network Engineer for RADO Network Ltd company. Your colleague has set up a Layer 2 network for testing purpose in one of your client locations. You must verify the configuration and fix if any issues identified as per customer requirements.

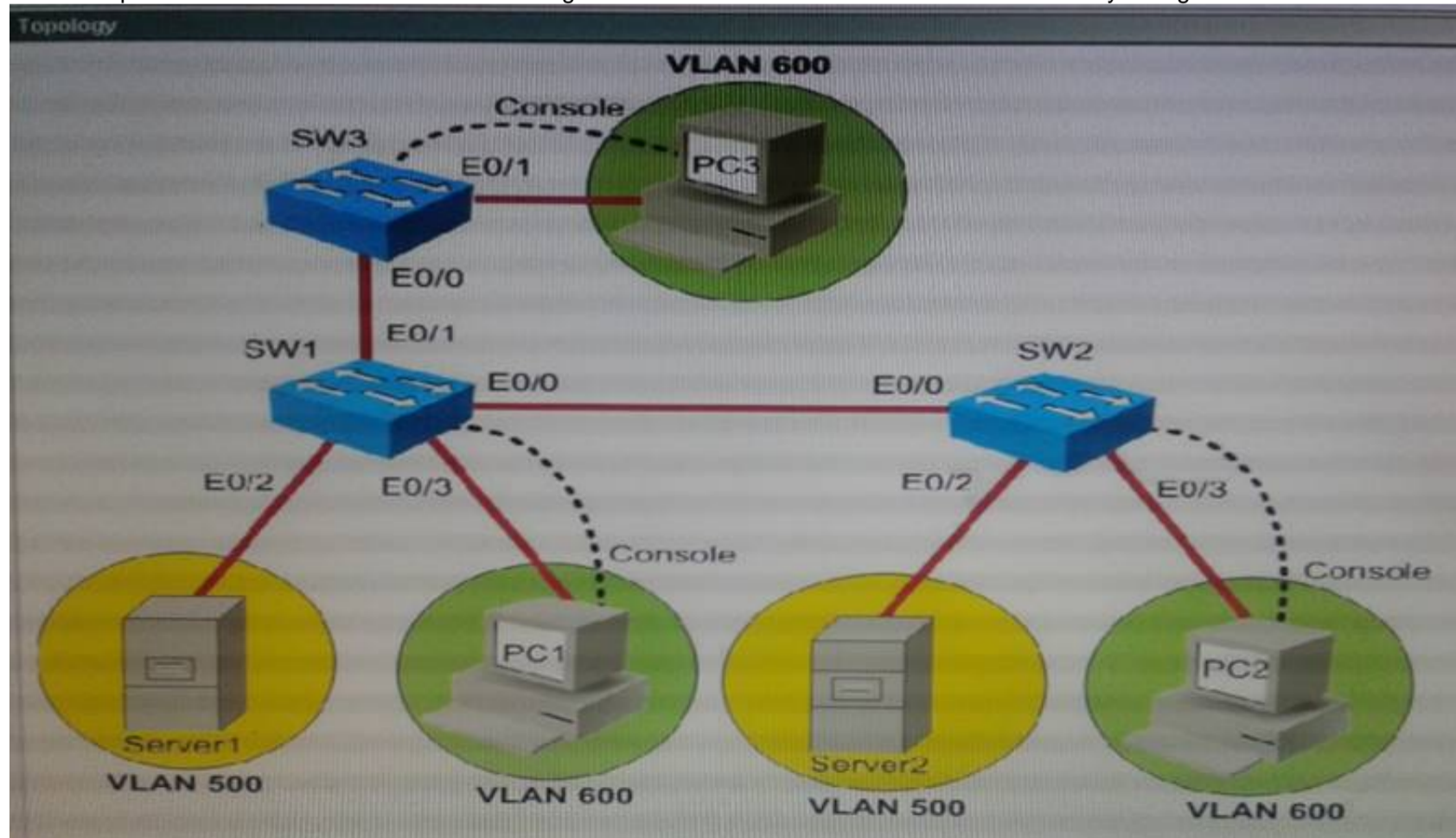
Topology Details

- Three switches (SW1, SW2, and SW3) are connected using Ethernet link as shown in the topology diagram.
- Server1 and PC1 are connected to SW1 and are assigned to VLAN 500 and VLAN 600 respectively.
- Server2 and PC2 are connected to SW2 and are assigned to VLAN 500 and VLAN 600 respectively.
- PC3 is connected to SW3 and assigned to VLAN 600.

Customer requirements

- Verify if switch ports are assigned in correct VLANs as per topology diagram Identify and fix any misconfigurations found in three switches.
- Verify if trunk links are operational between switches and the IEEE 802.1q trunk encapsulation method is used Identify and fix if any misconfigurations are found in the trunk configuration
- You must make sure the ports connected between switches are set as trunk ports.

Special Note: To gain the maximum number you must make sure that VLANs are assigned to switch ports as per customer requirements and make sure the trunk links are operational between switches Do not change VLAN names and VLAN number that are already configured in the switches



- A. Mastered
- B. Not Mastered

Answer: A

Explanation:

Switch 1 port E0/1 WAS CONNECTED TO ACOMPUTER WITH A STRAIGHT THROUGH CABLE AND AS WELL AS ROLLOVER CABLE (FOR CONFIGURATION OF SWITCH PORTS ON THIS SWITCH) WHICH WAS SHOWN IN VLAN 600 IN THE DIAGRAM BUT ACTUALLY THAT PC WAS NOT IN VLAN 600 AFTER CHECKING THE VLAN CONFIGURATION USING SHOW VLAN COMMAND. INSTEAD THIS PORT WAS CONFIGURED IN VLAN 1. SO WE NEEDED TO PUT THAT PC IN VAN 600 USING FOLLOWING COMMANDS-SW1(CONFIG)# INTERFACE E0/0SW1(CONFIG-IF)#SWITCHPORT MODE ACCESSSW1(CONFIG-IF)#SWITCHPORT ACCESS VLAN 600 NOW THE E0/0-PORT OF THIS SWITCH-SW1 WAS RECEIVING NATIVE VLAN MISMATCH FROM SW3 SWITCH-PORT E0/1. ALSO E0/0 OF SW1 ANDE0/1 OF SW3 WERE NOT IN TRUNKING MODE. AND THE QUESTION WAS ASKED TO MAKE SURE THAT CONNECTION BETWEEN BOTH SWITCHES SHOULD BE IN TRUNKING MODE WITH 802.1Q ENCAPSULATION ENABLED SO USED THE BELOW COMMANDS-SW1(CONFIG)#INT E0/0SW1(CONFIG-IF)#SWITCHPORT TRUNK ENCAPSULATION DOT1QSW1(CONFIG-IF)# SWITCHPORT MODE TRUNK. ON OTHER SWITCH WHICH IS SWITCH3 SW3(CONFIG)#INT E0/0SW3(CONFIG-IF)#SWITCHPORT TRUNK ENCAPSULATION DOT1QSW3(CONFIG-IF)# SWITCHPORT MODE TRUNK.SW3(CONFIG-IF)# SWITCHPORT TRUNK NATIVE VLAN 1 ALSO PORT E0/2 OF SW3 WAS CONNECTED TO SERVER AND IN VLAN 600 AND PORT E0/3 WAS ASSIGNED TO VLAN 500 AND TO ACOMPUTER AGAIN IN VLAN 500 ITSELF. SO THAT COMPUTER HAD ACONSOLE CABLE CONNECTED TO SW3 AS WELL IN ORDER TO CONFIGURE SW3 PORTS AS TRUNK PORTS AND SWITCHPORTS USING THE ABOVE STEPS FOR SW1 WHICH WAS MENTIONED ABOVE. SIMILARLY SW2 PORT E0/1 PORT WAS CONNECTED TO E0/4 PORT OF SW3 SO AGAIN TRUNK LINK CONFIGURATIONS BETWEEN E0/1 ANDE0/4 PORTS BETWEEN TWO SWITCHES NEED TO EBDONE HERE. BUT YOU NEDD NOT TO AGAIN RUN THAT NATIVE VLAN COMMAND CHANGE ON SW3 OR SW2 SINCE ON SW3 WE AKREADY CHANGED IN ABOVE STEP AND IN SW2 ITS FINE IN VLAN 1 ONLY. ACOMPUTER WAS CONNECTED TO PORT E0/2 OF SW2 AND WAS IN VLAN 600 ANDE0/3 WAS CONNECTED TIO SERVER WHICH WAS IN VLAN 600 AGAIN. ALSO AGAIN THIS TIME THE COMPUTER WAS CONNECTED TO THE SWITCH USING ACONSOLE CABLE ASWELL TO GIVE YOU CONSOLE ACCESS TO CONFIGURE AND VERIFY THE CONFIGURATIONS ON SW2. SO JUST VERIFY THE ACCESS PORTS ARE CORRECTLY ASSIGNED AND TRUNK PORTS AS WELL USING BELOW COMMANDS.

NEW QUESTION 13

- (Exam Topic 3)

Drag and Drop the CSMAComponents from the left onto the correct description on the right

1-persistent	access mode used for Ethernet networks
CSMA/CA	access mode used for Wi-Fi networks
CSMA/CD	access mode used in the controller area network
0-persistent	rules that define the system response when a collision occurs on an Ethernet network
P-persistent	rules that define the system response when a collision occurs on a Wi-Fi network

- A. Mastered
- B. Not Mastered

Answer: A

Explanation:

1-persistent	1-persistent
CSMA/CA	P-persistent
CSMA/CD	0-persistent
0-persistent	CSMA/CD
P-persistent	CSMA/CA

NEW QUESTION 14

- (Exam Topic 3)

What is the danger of the permit any entry in a NAT access list?

- A. It can lead to overloaded resources on the router.
- B. It can cause too many addresses to be assigned to the same interface.
- C. It can disable the overload command.
- D. It prevents the correct translation of IP addresses on the inside network.

Answer: A

NEW QUESTION 15

- (Exam Topic 4)

Which chassis-aggregation technology combines two physical switches into one virtual switch?

- A. LACP
- B. VRRP
- C. VSS
- D. StackWise

Answer: C

NEW QUESTION 16

- (Exam Topic 4)

During which phase of PPPoE is PPP authentication performed?

- A. the PPP Session phase
- B. Phase 2
- C. the Active Discovery phase
- D. the Authentication phase
- E. Phase 1

Answer: A

NEW QUESTION 17

- (Exam Topic 5)

Which two values are needed to run the APIC-EM ACL Analysis tool? (Choose two.)

- A. destination address
- B. protocol
- C. source address
- D. source port
- E. periodic refresh interval
- F. destination port

Answer: AD

NEW QUESTION 18

- (Exam Topic 5)

You are transitioning your organization's DHCP and DNS cloud services to new provider. Which two public cloud options can provide a secure and relatively easy migration? (Choose two)

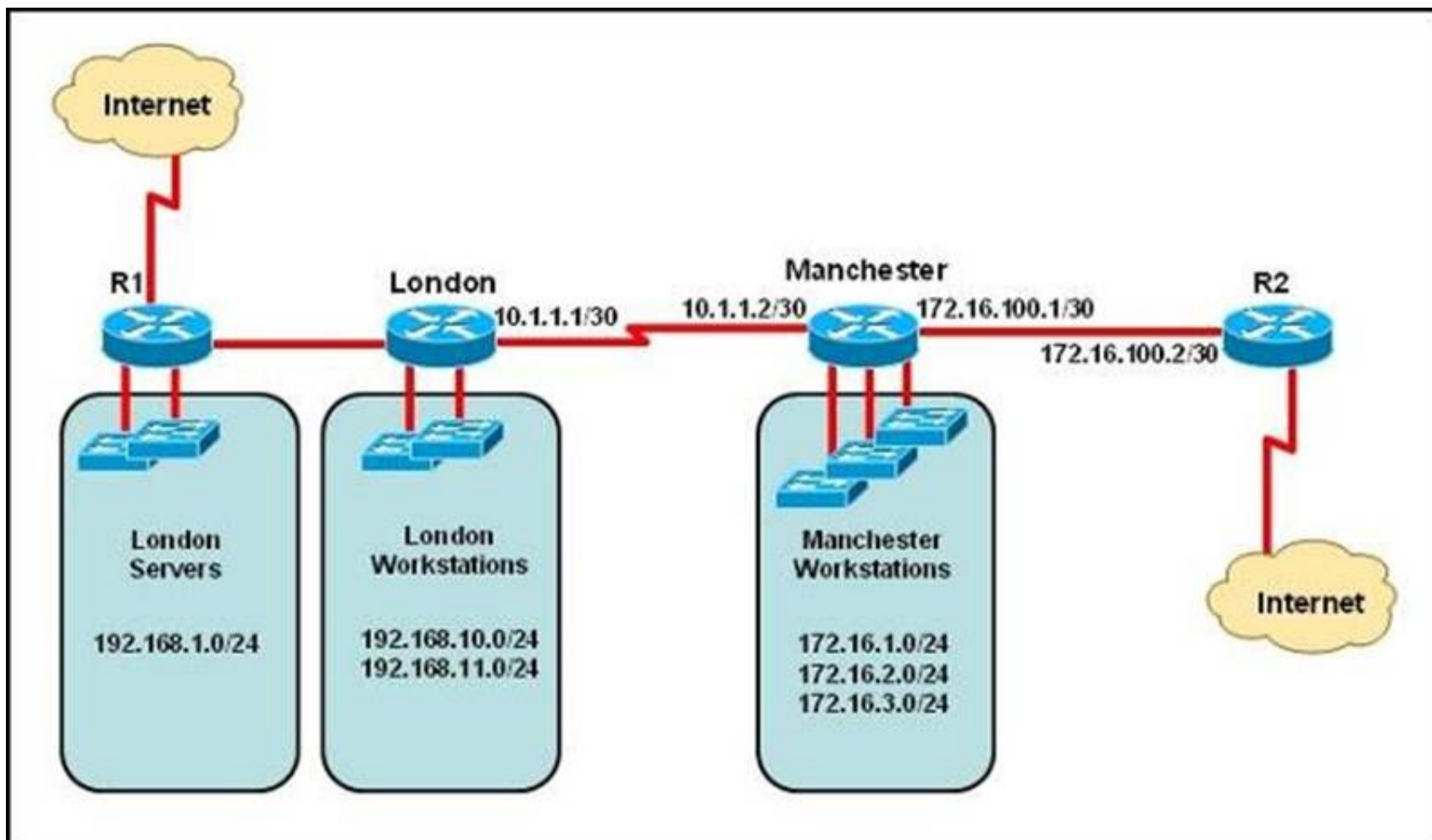
- A. Internet VPN
- B. MPLS VPN
- C. inter-cloud exchange
- D. Internet
- E. Ethernet WAN

Answer: AB

NEW QUESTION 19

- (Exam Topic 5)

Refer to the exhibit.



The network administrator must establish a route by which London workstations can forward traffic to the Manchester workstations. What is the simplest way to accomplish this?

- A. Configure a dynamic routing protocol on London to advertise all routes to Manchester.
- B. Configure a dynamic routing protocol on London to advertise summarized routes to Manchester.
- C. Configure a dynamic routing protocol on Manchester to advertise a default route to the London router.
- D. Configure a static default route on London with a next hop of 10.1.1.1.
- E. Configure a static route on London to direct all traffic destined for 172.16.0.0/22 to 10.1.1.2.
- F. Configure Manchester to advertise a static default route to London.

Answer: E

Explanation:

Explanation

This static route will allow for communication to the Manchester workstations and it is better to use this more specific route than a default route as traffic destined to the Internet will then not go out the London Internet connection.

NEW QUESTION 20

- (Exam Topic 5)

Which symbol in the APIC-EM path Trace tool output indicates that an ACL is present and might deny packets?

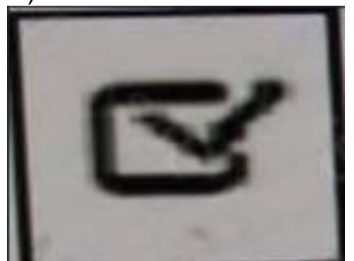
A)



B)



C)



D)



- A. Option A
- B. Option B
- C. Option C
- D. Option D

Answer: C

NEW QUESTION 21

.....

THANKS FOR TRYING THE DEMO OF OUR PRODUCT

Visit Our Site to Purchase the Full Set of Actual 200-125 Exam Questions With Answers.

We Also Provide Practice Exam Software That Simulates Real Exam Environment And Has Many Self-Assessment Features. Order the 200-125 Product From:

<https://www.2passeasy.com/dumps/200-125/>

Money Back Guarantee

200-125 Practice Exam Features:

- * 200-125 Questions and Answers Updated Frequently
- * 200-125 Practice Questions Verified by Expert Senior Certified Staff
- * 200-125 Most Realistic Questions that Guarantee you a Pass on Your FirstTry
- * 200-125 Practice Test Questions in Multiple Choice Formats and Updatesfor 1 Year